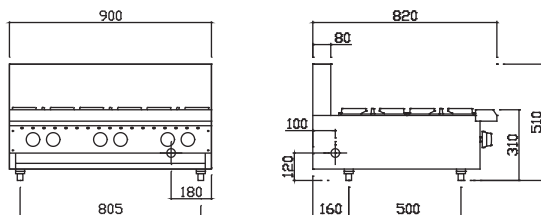
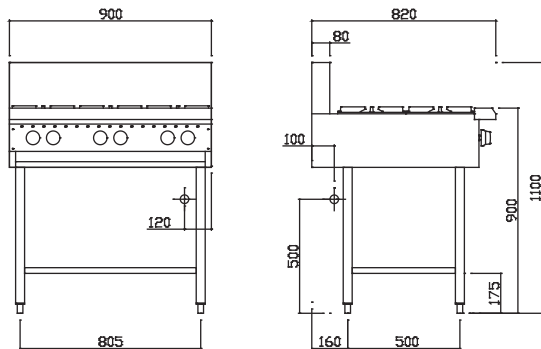


## Technical Specifications for BCH-6B, BCH-2B6P, BCH-4B3P, BCH-4B3C



### ESSENTIALS

- Cast iron 18mj open burners (FFD optional extra)
- Burner, chargrill & hotplate combinations
- Available freestanding or as a benchtop model
- Modular Essentials series design
- 15 month 'Platinum Warranty'
- Easy to clean and service



Key:  
 Gas

#### Open Burners

- 18 mj cast iron burner & hoods
- Flame failure and pilots available as an optional extra
- Variable flame control valve with low flame setting
- Heavy duty cast iron trivets (295mm x 300mm)
- Enamelled spillage bowls

#### Griddle/Hotplate

- 20 mj burners with pilot & FFD (manual ignition)
- Variable flame control valve with low flame setting
- 16mm thick mild steel griddle plate
- Top weld sealed hotplate sections
- BCH-2B6P plate: 585mm x 530mm; 0.31m<sup>2</sup> cooking area
- BCH-4B3P plate: 285mm x 530mm; 0.15m<sup>2</sup> cooking area
- 1.5mm stainless steel splash guards

#### Chargrill/Barbecue

- 23 mj burners with pilot & FFD (manual ignition)
- Variable flame control valve with low flame setting
- One piece dual purpose cast-iron hooded burner
- J shaped reversible cast iron grates
- BCH-4B3C bbq: 280mm x 520mm; 0.15m<sup>2</sup> cooking area
- 1.5mm stainless steel splash guards

#### Overall Construction

- Heavy duty construction
- Welded 1.2mm stainless steel front hob
- Front and side panels 0.9mm stainless steel
- Splashback 1.2 mm stainless steel
- Catchment undertray 0.9 mm stainless steel
- 38mm stainless steel tube legs with adjustable feet

#### Dimensions

- 900mm x 820mm x 1100mm H
- 900mm x 820mm x 510mm H (benchtop)
- Working height 900mm
- Weight 91kg
- Packed dimensions 940mm x 860mm x 1260mm H
- Packed weight 116kg

#### Connections

- Gas 3/4" BSP female
- 120mm from right, 100mm from rear, 500mm from floor
- Benchtop model: 180mm from right, 120mm from bottom
- Supplied with gas regulator (specify Nat or LP on order)

#### Cleaning & Servicing

- Easy access to all parts & components from front

#### Options/Accessories

- Rear castors
- FFD & pilots to open burners
- 300mm drop on plate (6mm mild steel) for open burners
- RH and LH side shields
- Benchtop mount (specify when ordering)
- Extended warranty

Model	Description	Nat Gas	LP Gas
BCH-6B	6 burner cooktop	108 mj	108 mj
BCH-2B6P	2 burners, 600 grill	76 mj	76 mj
BCH-4B3P	4 burners, 300 grill	92 mj	92 mj
BCH-4B3C	4 burners, 300 bbq	95 mj	95 mj