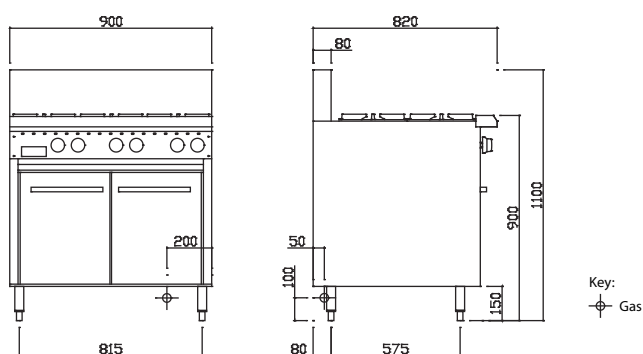


Technical Specifications for CRO-6B, CRO-2B6P, CRO-4B3P, CRO-4B3C



ESSENTIALS

- Cast iron 18mj open burners (FFD optional extra)
- 45 Nat/35mj LPG U-shaped oven burner
- French (swing) door oven access
- Burner, chargrill & hotplate combinations
- Modular Essentials series design
- 15 month 'Platinum Warranty'
- Easy to clean and service



Model	Description	Nat Gas	LP Gas
CRO-6B	6 burner oven	153 mj	143 mj
CRO-2B6P	2 burners, 600 grill & oven	121 mj	111 mj
CRO-4B3P	4 burners, 300 grill & oven	137 mj	127 mj
CRO-4B3C	4 burners, 300 bbq & oven	140 mj	130 mj

Open Burners

- 18 mj cast iron burner & hoods
- Flame failure and pilots available as an optional extra
- Variable flame control valve with low flame setting
- Heavy duty cast iron trivets (295mm x 300mm)
- Enamelled spillage bowls

Oven

- 45 Nat/35mj LPG U-shaped oven burner
- Oven flame failure & pilot standard (manual ignition)
- 100-340° C minisit thermostat control
- Internal cooking space: 750mm x 520mm x 300mm H
- Vitreous enamel 1.5mm internal oven door/wall lining
- Fibertex Rockwool insulation in oven walls & doors
- French (swing) doors for easy oven access
- Removable oven undertray 0.9mm stainless steel
- Suits 2/1 Gastronorm size trays
- Chrome oven rack supports with 4 positions
- Supplied with 2 oven racks

Griddle/Hotplate

- 20 mj burners with pilot & FFD (manual ignition)
- 16mm thick mild steel griddle plate
- Top weld sealed hotplate sections
- CRO-2B6P plate: 585mm x 530mm; 0.31m2 cooking area
- CRO-4B3P plate: 285mm x 530mm; 0.15m2 cooking area

Chargrill/Barbecue

- 23 mj burners with pilot & FFD (manual ignition)
- One piece dual purpose cast-iron hooded burner
- J shaped reversible cast iron grates
- CRO-4B3C bbq: 280mm x 520mm; 0.15m2 cooking area

Overall Construction

- Heavy duty construction
- Welded 1.2mm stainless steel front hob
- Front, side and door panels 0.9mm stainless steel
- Splashback 1.2 mm stainless steel
- Catchment undertray 0.9 mm stainless steel
- 38mm stainless steel tube legs with adjustable feet

Dimensions

- 900mm x 820mm x 1100mm H
- Working height 900mm
- Weight 149kg
- Packed dimensions 940mm x 860mm x 1260mm H
- Packed weight 174kg

Connections

- Gas 3/4" BSP female
- 200mm from right, 50mm from rear, 100mm from floor
- Supplied with gas regulator (specify Nat or LP on order)

Cleaning & Servicing

- Easy access to all parts & components from front

Options/Accessories

- Rear castors
- FFD & pilots to open burners
- 300mm drop on plate (6mm mild steel) for open burners
- RH and LH side shields
- Extended warranty