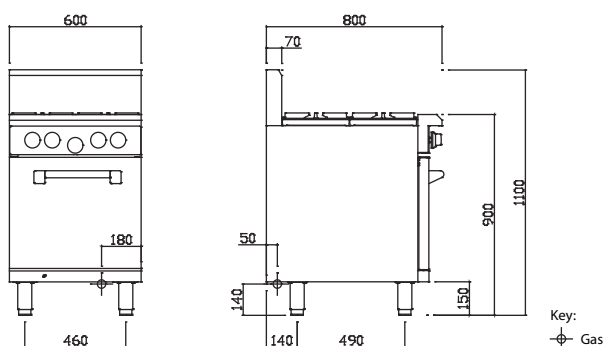


Technical Specifications for RS-4B, RS-6P, RS-2B3P, RS-2B3C



PROFESSIONAL

- Nickel plated 28 mj open burners with FFD standard
- 29 mj oven burner & sole plate
- Piezo ignition & FFD included on oven burner
- French (swing) door oven access
- Burner, chargrill & hotplate combinations
- Heavy duty construction
- Easy to clean and service
- Modular Professional series design
- 15 month 'Platinum Warranty'



	Model	Description	Nat Gas	LP Gas
	RS-4B	4 burners & oven	141 mj	141 mj
	RS-6P	600 grill & oven	65 mj	65 mj
	RS-2B3P	2 burners, 300 grill & oven	103 mj	103 mj
	RS-2B3C	2 burners, 300 bbq & oven	118mj	118 mj

Open Burners

- Nickel plated cast iron 28 mj dual-flame ring burners
- Flame failure device standard (pilots optional extra)
- Variable flame control valve with low flame setting
- Heavy duty cast iron trivets
- Pressed 0.7mm 304 stainless steel spillage bowls

Oven

- 29mj oven burner with mild steel sole plate
- Oven flame failure, pilot & piezo ignition as standard
- 100-340° C thermostat control
- Internal cooking space: 440mm x 550mm x 300mm H
- Vitreous enamel 1.5mm internal oven door/wall lining
- Fibertex Rockwool insulation in oven walls & doors
- French (swing) doors for easy oven access
- 304 stainless steel 'cool touch' door handles
- Suits 1/1 Gastronorm size trays
- Chrome oven rack supports with 4 positions
- Supplied with 2 oven racks

Griddle/Hotplate

- 18 mj burners with pilot, FFD and piezo ignition
- 16mm thick mild steel griddle plate
- RS-6P plate: 590mm x 540mm; 0.32m² cooking area
- RS-2B3P plate: 290mm x 540mm; 0.16m² cooking area
- 2mm 304 stainless steel splash guards

Chargrill/Barbecue

- 33 mj burners with pilot, FFD and piezo ignition
- Cast-iron radiant hood system (ceramic rocks optional)
- RS-2B3C bbq: 280mm x 520mm; 1456cm² cooking area

Overall Construction

- Heavy duty construction
- Welded 1.2mm 304 stainless steel front hob
- Front, side & door panels 0.9mm 304 stainless steel
- Splashback 1.2 mm 304 stainless steel
- Stainless steel feet with 55mm height adjustment range
- Secondary catchment tray 0.9mm stainless steel

Dimensions

- 600mm x 800mm x 1100mm H
- Working height 900mm
- Weight 130kg
- Packed dimensions 640mm x 860mm x 1260mm H
- Packed weight 150kg

Connections

- Gas 3/4" BSP male
- 180mm from right, 50mm from rear, 140mm from floor
- Supplied with gas regulator (specify Nat or LP on order)

Cleaning & Servicing

- Removable burners, hoods and spillage bowls
- Secondary undertray to catch any additional waste
- Oven racks, supports and sole plate easy to remove
- Easy access to all parts & components from front

Options/Accessories

- Rear castors
- Plots to open burners
- Ribbed or chrome finish on hotplates
- RH and LH side shields
- Extended warranty