

CS-12P-T

1200mm Gas Teppanyaki Grill



Teppanyaki Grill

- 4 x 18 MJ/h burners with pilot, FFD, and piezo ignition
- Variable flame control valve with low flame setting
- 21mm thick mild steel griddle plate
- Top weld sealed hotplate sections
- Griddle cooking area: 1190mm x 540mm: 6426 cm²
- 304 stainless steel splash guards and removable griddle oil bin

Cleaning & Servicing

- Easy access to all parts & components from front

Options & Accessories

- Rear Castors (rigid)
- Front Castors (swivel with brakes)
- Joining caps
- Ribbed or chrome finish on griddle plate
- LH and RH side shields
- Benchtop mount (add -B suffix to model number)

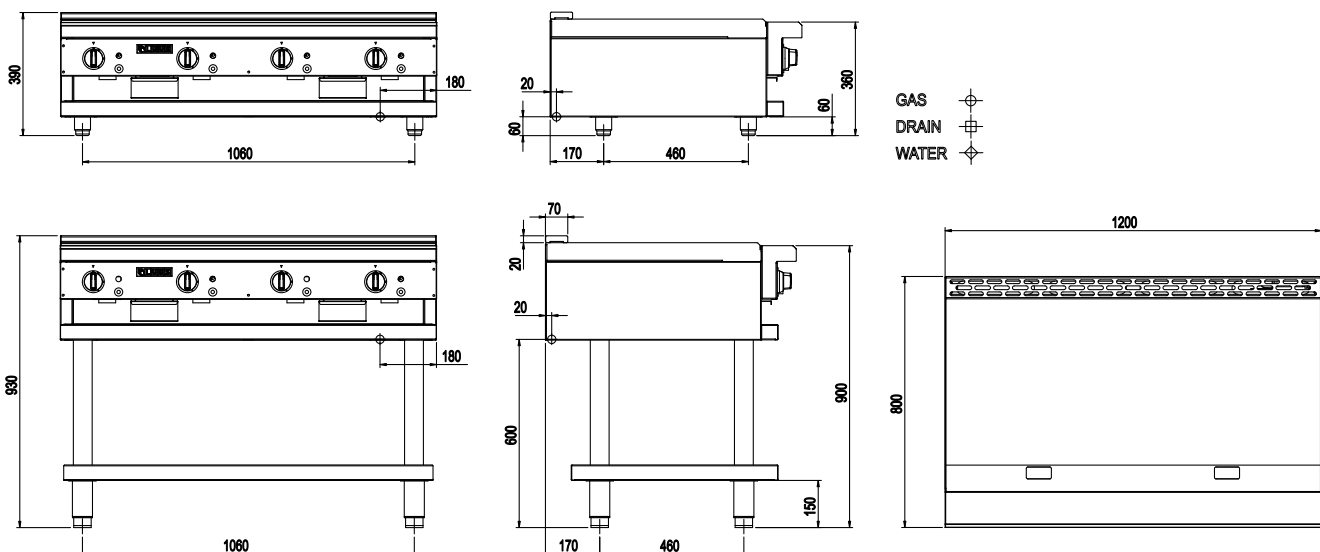
Warranty

- 1 Year Included + 1 Year Extendable upon registration



Specifications

- NAT GAS: 72 MJ/h, LP Gas: 72 MJ/h
- Supplied with Gas regulator (specify NAT or LP on order)
- Gas Inlet: 3/4" BSP Male
- 180mm from Right, 20mm from Rear, 600mm from Floor
- Benchtop: 60mm from Floor
- Working Height: 900mm
- Dimensions: 1200 x 800 x 950H @ 130kg
- Benchtop Dimensions: 1200 x 800 x 410H
- Packed Dimensions: 1240 x 860 x 1120H @ 160kg
- Heavy duty construction with 304 stainless steel external panels
- Stainless steel feet with 55mm height adjustment range
- Benchtop Stainless steel feet with 20mm height adjustment range



Must be installed by an authorised person in accordance with AS/NZS 3000.

Please note that specifications or design may be altered at any time without notice.

Luus Industries Pty Ltd | +61 3 9240 6822 | sales@luus.com.au | www.luus.com.au

