

CS-6P3C

600mm Griddle, 300mm Chargrill Gas Cooktop



Griddle

- 18 MJ/h output per 300mm module
- Stainless steel tube burners with pilot, FFD and piezo ignition
- Variable flame control valve with low flame setting
- 21mm thick mild steel griddle plate
- Top weld sealed hotplate sections
- Griddle cooking area: 590mm x 540mm; 3200 cm²
- 304 stainless steel splash guards & oil bins

Chargrill

- 33 MJ/h output per 300mm module
- Stainless steel E-burners with pilot, FFD and piezo ignition
- Chargrill cooking area: 290mm x 540mm; 1600 cm²
- Variable control valve with low flame setting
- Cast-iron heat distributing hood as standard
- Optional ceramic rocks for a smoky flavour
- Heavy duty cast iron J-grate (147mm x 540mm)
- J-grates easily rotated for incline and leveled surface cooking
- 2mm 304 stainless steel splash guards

Cleaning & Servicing

- J-grates and radiant hoods easily removable for cleaning
- Secondary undertray to catch any additional waste
- Easy access to all parts & components from front

Options

- Rear Castors (rigid)
- Front Castors (swivel with brakes)
- Joining caps
- Ribbed or chrome finish on griddle plate
- LH and RH side shields
- J-shaped reversible grates
- Ceramic rocks (specify when ordering)
- Benchtop option (add -B suffix to model number)

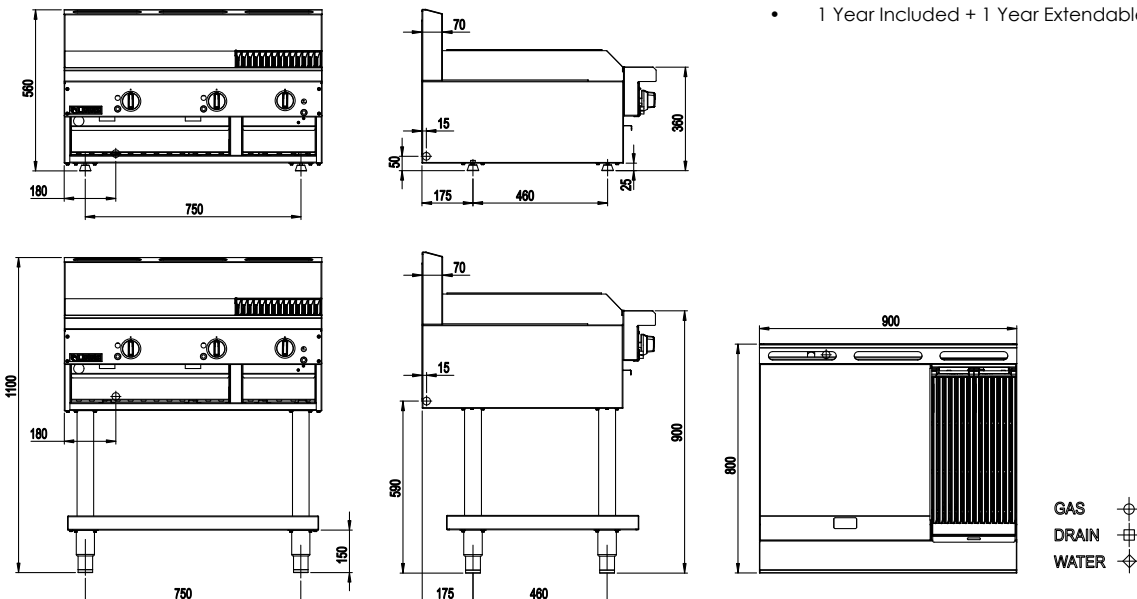
Warranty

- 1 Year Included + 1 Year Extendable upon registration

PROFESSIONAL

Specifications

- NAT GAS: 69 MJ/h, LP Gas: 69 MJ/h
- Supplied with Gas regulator (specify NAT or LP on order)
- Gas Inlet: 3/4" BSP Male
- 180mm from Left, 15mm from Rear, 590mm from Floor
- Benchtop model gas connection: 50mm from Floor
- Working Height: 900mm
- Dimensions: 900 x 800 x 1100H @ 115kg
- Packed Dimensions: 940 x 860 x 1260H @ 140kg
- Benchtop Dimensions: 900 x 800 x 560H @ 105kg
- Benchtop Packed Dimensions: 940 x 860 x 720 @ 130kg
- Heavy duty construction with 304 stainless steel external panels
- Stainless steel feet with 55mm height adjustment range



Must be installed by an authorised person in accordance with AS/NZS 3000.

Please note that specifications or design may be altered at any time without notice.

Luus Industries Pty Ltd | +61 3 9240 6822 | sales@luus.com.au | www.luus.com.au



1 YEAR INCLUDED 1 YEAR EXTENDABLE UPON REGISTRATION