

# DRO-810

## 810mm Duck Oven Roaster



### Specifications

- NAT GAS: 83 MJ/h, LP Gas: 83 MJ/h
- Supplied with Gas regulator (specify NAT or LP on order)
- Gas Inlet: 3/4" BSP Male
- 220mm from Left, 50mm from Front, 200mm from Floor
- Drain: 1" BSP female
- 180mm from Left, 400mm from Front, 180mm from Floor
- Dimensions: 810mm ID x 830mm OD x 1530mm H @ 42kg
- Packed Dimensions: 940 x 860 x 1470H @ 69kg
- Heavy duty construction with 304 stainless steel external panels

### Roaster

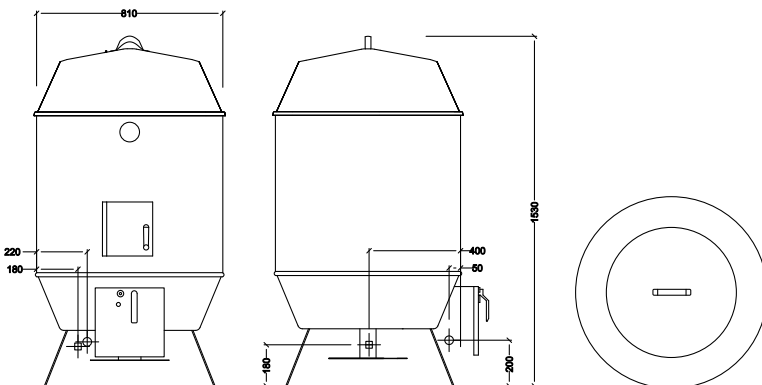
- 83 MJ/h cast iron nozzle burner with pilot and FFD
- 12 duck capacity using hang rail
- External temperature gauge
- Convenient burner/servicing access via door
- Zinc-aluminium alloy burner handle
- Waste release ball valve
- Overflow pipe built into bottom of unit
- High temperature cut-off safety feature
- Heavy duty 4 piece assembly
- Double skin construction for improved performance and safety

### Cleaning & Servicing

- Easy access to all parts & components from front

### Warranty

- 1 Year Included + 1 Year Extendable upon registration



Must be installed by an authorised person in accordance with AS/NZS 3000.

Please note that specifications or design may be altered at any time without notice.

**Luus Industries Pty Ltd | +61 3 9240 6822 | sales@luus.com.au | www.luus.com.au**

