

FSP-90

900mm Gas Freestanding Stockpot



Freestanding Stockpot

- 2 x 90 MJ/h 18 jet duckbill burner with pilot & FFD
- Internal shield contain heat
- Zinc-aluminium alloy burner handle
- Heavy duty enamelled cast iron trivet

Cleaning & Servicing

- Easy access to all parts & components from front

Options/Accessories

- Replace duckbill burner with 8" nozzle burner (57 MJ/h)

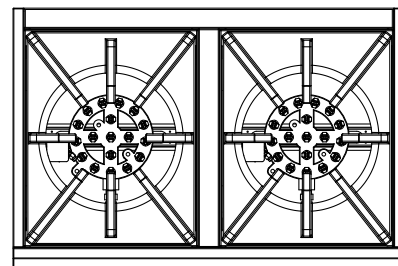
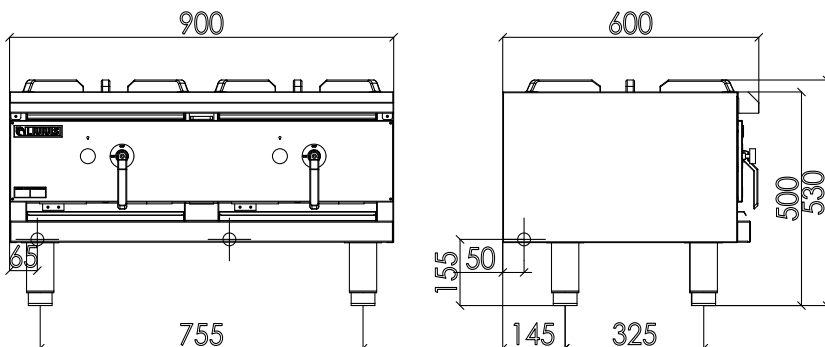
Warranty

- 1 Year Included + 1 Year Extendable upon registration



Specifications

- NAT GAS: 180 MJ/h, LP Gas: 180 MJ/h
- Supplied with Gas regulator (specify NAT or LP on order)
- Gas Inlet: 3/4" BSP Male
- 65mm from Left, 50mm from Rear, 155mm from Floor
- Working Height: 500mm
- Dimensions: 900 x 600 x 530H @ 85kg
- Packed Dimensions: 950 x 650 x 700H @ 105kg
- Heavy duty construction with 304 stainless steel external panels
- Stainless steel feet with 55mm height adjustment range



GAS
DRAIN
WATER

Must be installed by an authorised person in accordance with AS/NZS 3000.

Please note that specifications or design may be altered at any time without notice.

Luus Industries Pty Ltd | +61 3 9240 6822 | sales@luus.com.au | www.luus.com.au



1 YEAR INCLUDED 1 YEAR EXTENDABLE UPON REGISTRATION