

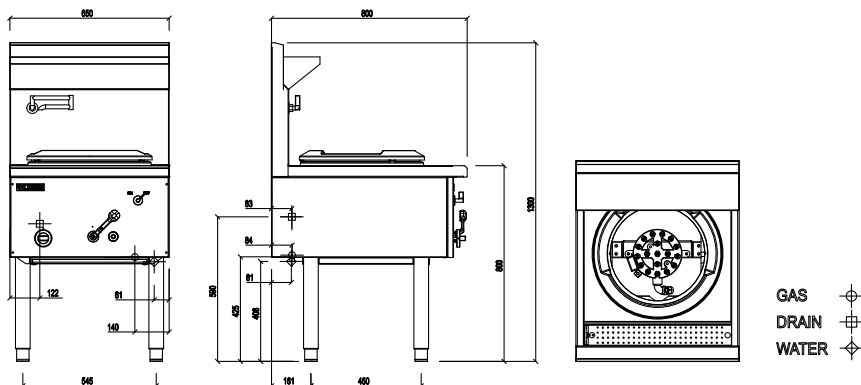
# WZ-17C

650mm Gas Waterless Woks



## Specifications

- NAT Gas: 90 MJ/h, LP Gas: 90 MJ/h
- Supplied with gas regulator (specify NAT or LP on order)
- Gas Inlet: 3/4" BSP Female
- Gas #1: 140mm from Right, 84mm from Rear, 425mm from Floor
- Water Inlet: 1/2" BSP Male
- 61mm from Right, 81mm from Rear, 408mm from Floor
- Drain: 2" Pipe
- 122mm from Left, 83mm from Rear, 590mm from Floor
- Working Height: 800mm
- Dimensions: 650 x 800 x 1300H @ 95kg
- Packed Dimensions: 710 x 900 x 1470H @ 123kg
- Heavy duty construction with 304 stainless steel panels
- Stainless steel legs with 30mm height adjustment range



Must be installed by an authorised person in accordance with AS/NZS 3000.

Please note that specifications or design may be altered at any time without notice.

Luus Industries Pty Ltd | +61 3 9240 6822 | sales@luus.com.au | www.luus.com.au

## Waterless Woks

- 90 MJ/h 18 Jet Duckbill Burner with pilot & FFD
- 405mm diameter large size cast-iron wok ring
- Air gap cooling system
- Quarter turn water control lever
- Folding rear laundry arm with front panel controls
- Wider front gutter design for easier cleaning
- Internal front heat shield panel
- Supplied with waste strainer
- Zinc-aluminium alloy burner handles

## Cleaning & Servicing

- Easy access to all parts & components from front

## Options/Accessories

- Replace Duckbill burners with Chimney or dual ring burner
- Replace standard duckbill burner with high output 28 jet Duckbill burner (145 MJ/h)
- Modify to low splashback (between 800mm to 1100mm total unit height)
- 250 and 500mm wide clip-on shelves (Front)
- Wok holder
- Clip in sauce holder
- Joining caps & strips
- LH & RH Side Shields
- Rear castors (2 x rigid)

## Warranty

- 1 Year Included + 1 Year Extendable upon registration



1 YEAR INCLUDED 1 YEAR EXTENDABLE UPON REGISTRATION