

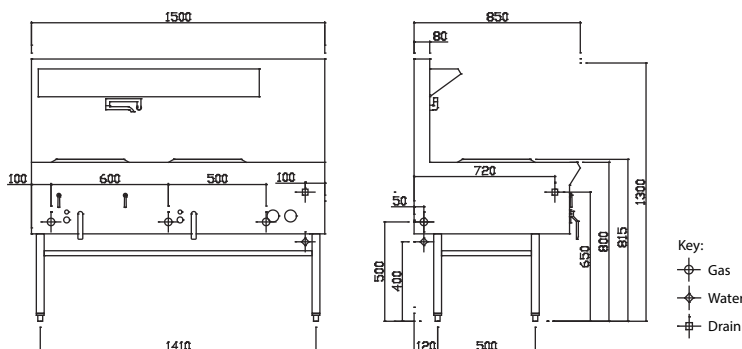
# WF 1500mm Traditional Wok



## Technical Specifications for WF-2C2B



- Chimney burners ideal for high heat/fast stir frying
- Side burners designed for smaller pots
- Water cooling system to preserve unit longevity
- Cast iron wok ring rear flued to aid combustion
- Laundry arm controlled by quarter turn lever
- Folding laundry arm for flexible usage options
- Modular design to suit multiple WF wok units
- Optional Duckbill burners ideal for medium heat cooking
- Optional Dual Ring burners ideal for low/simmer cooking
- 15 month 'Platinum Warranty'
- Easy to clean and service



### Traditional Wok

- 110/120 mj 24 jet chimney burners with pilot & FFD
- 18mj side pot burners (FFD optional)
- Deck water cooling via rear condiment shelf
- Quarter turn water control lever
- Folding rear laundry arm with front panel controls
- Front gutter design for easier cleaning
- 25mm insulated front heat shield panel
- Zinc-aluminium Alloy burner handles

### Overall Construction

- Welded steel frame construction
- Heavy duty, full skirt, enamelled cast-iron rings
- Double flanged watertight gasket seal
- Rear flue system to aid combustion
- 1.2mm 304 stainless steel deck
- 0.9mm 304 stainless steel condiment shelf
- Splashback 1.2 mm 304 stainless steel
- Front cover and hob 1.2mm 304 stainless steel
- Side panels & undertrays 0.7mm stainless steel
- 38mm stainless steel tube legs with adjustable feet

### Dimensions

- 1500mm x 850mm x 1300mm H
- Working height 815mm
- Weight 198kg
- Packed dimensions 1550mm x 900mm x 1470mm H
- Packed weight 233kg

### Connections

- Gas 3/4" BSP male (x2)
- Gas 300/800/1400mm from right, 50mm from rear, 500mm from floor (regulator connected inside front cover)
- Supplied with gas regulator (specify Nat or LP on order)
- Water inlet 1/2" copper tube
- Water 100mm from right, 50mm from rear, 400mm floor
- Drain 2" BSP male
- Drain 100mm from right, 130mm from front, 650mm floor

### Cleaning & Servicing

- Easy access to all parts & components from front

### Options/Accessories

- Replace Chimney burners with Duckbill or Dual Ring
- Flame failure device (FFD) on side burners
- 250mm and 500mm wide clip on shelves (front)
- Joining caps & strips
- RH and LH side shields
- Rear castors
- Extended warranty

Model	Description	Nat Gas	LP Gas
 WF-2C2B	2 + 2 chimney burners wok	260 mj	286 mj

