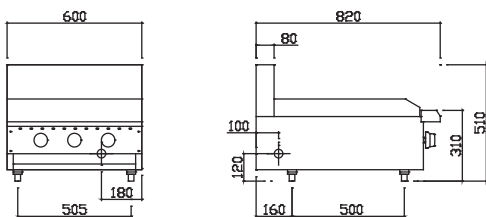
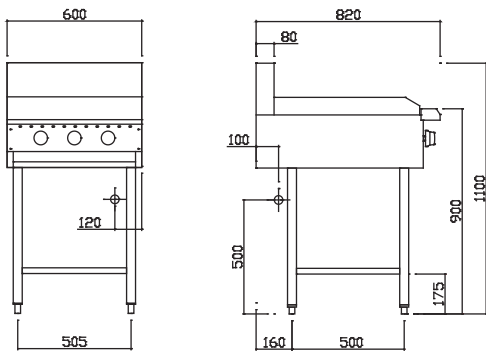


Technical Specifications for BCH-6C



ESSENTIALS

- 3 x 23mj burners in 600mm wide model
- Heavy duty cast iron burner
- J shaped reversible cast iron grates
- Available freestanding or as a benchtop model
- Modular Essentials series design
- 24 month 'Platinum Warranty'
- Easy to clean and service



Key:
 Gas

	<u>Model</u>	<u>Description</u>	<u>Nat Gas</u>	<u>LP Gas</u>
	BCH-6C	600 bbq	69 mj	69 mj

Chargrill/Barbecue

- 23 mj burners with pilot & FFD (manual ignition)
- Variable flame control valve with low flame setting
- One piece dual purpose cast-iron hooded burner
- J shaped reversible cast iron grates 150mm x 550mm
- Grates flat side up for maximum heat and performance
- Grates sloped side reduces flare & allows grease run off
- BCH-6C bbq: 580mm x 520mm; 0.30m² cooking area
- 1.5mm stainless steel splash guards
- Chargrill undertray 0.9mm stainless steel

Overall Construction

- Heavy duty construction
- Welded 1.2mm stainless steel front hob
- Front and side panels 0.9mm stainless steel
- Splashback 1.2 mm stainless steel
- 38mm stainless steel tube legs with adjustable feet

Dimensions

- 600mm x 820mm x 1100mm H
- 600mm x 820mm x 510mm H (benchtop)
- Working height 900mm
- Weight 77kg
- Packed dimensions 640mm x 860mm x 1260mm H
- Packed weight 97kg

Connections

- Gas 3/4" BSP female
- 120mm from right, 100mm from rear, 500mm from floor
- Benchtop model: 180mm from right, 120mm from bottom
- Supplied with gas regulator (specify Nat or LP on order)

Cleaning & Servicing

- Easy access to all parts & components from front

Options/Accessories

- Rear castors
- Joining caps
- Scallop low-contact grates
- RH and LH side shields
- Benchtop mount (specify when ordering)